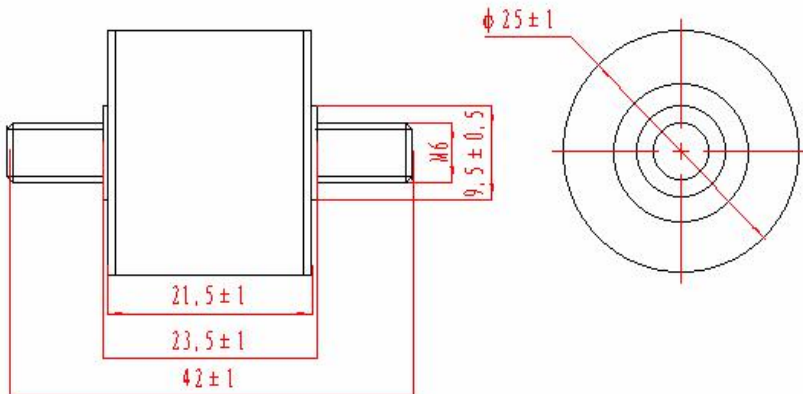


High Impulse Current Gas Discharge Tubes

100KA / 200KA



1: Dimension(mm)



## Specification of H2R25-600L

Nominal Dc spark-over voltage (100V/s)	600±20%V	
impulse spark-over voltage 5KV/µs ( 1.2/50us, 6KV)	<1500V	
Nominal impulse discharge current 8/20µs	100KA	
Maximum nominal impulse discharge current 8/20µs	200KA	
Maximum capacitance (1MHz)	<4pF	
Minimum insulation resistance@ 2500V	10000MΩ	
Weight	~ 25g	
Operation and storage temperature	-40℃ ...+90℃	
Marking, Blue	2R 600 15	600 - Nominal voltage 15 - Year of production

Specifications are subject to change without notice

sales@huaandz.com