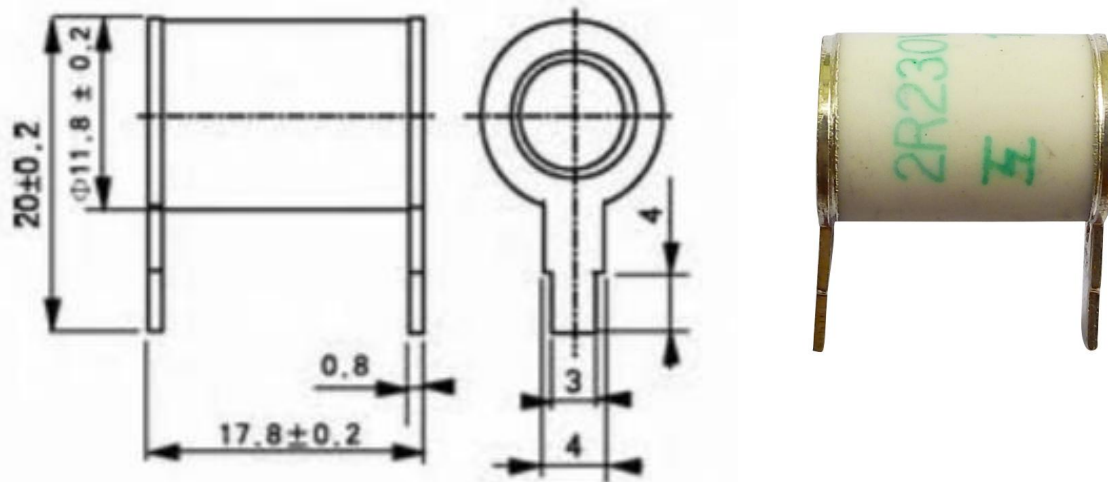


High Impulse Current Gas Discharge Tubes

60KA / 80KA



1: Dimension(mm)



4 Electrical Characteristics

Part Number	DC Spark-over Voltage @ 100V/S	Impulse Spark-over Voltage @1KV/µs	Nominal Impulse discharge current(8/20µs)	Maximum single Impulse discharge current(8/20µs)	Minimum Insulation Resistance @250v	Maximum Capacitance (1MHz)	Weight	Operation and storage temperature
	V	V	KA	KA	MΩ	PF	g	°C
H2R12-350UE	350±20%	650	60	80	10000	~4	~8	-40...+90
H2R12-500UE	500±20%	800	60	80	10000	~4	~8	-40...+90
H2R12-600UE	600±20%	1000	60	80	10000	~4	~8	-40...+90
H2R12-800UE	800±20%	1200	60	80	10000	~4	~8	-40...+90

Specifications are subject to change without notice

sales@huaandz.com