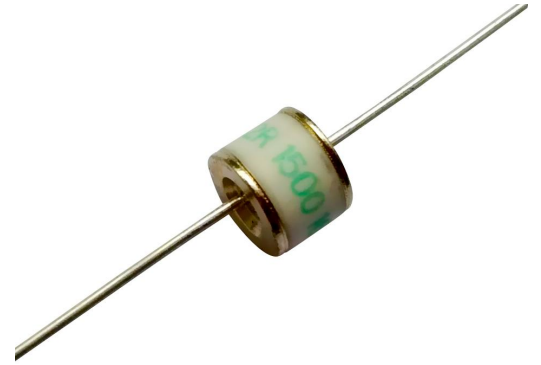
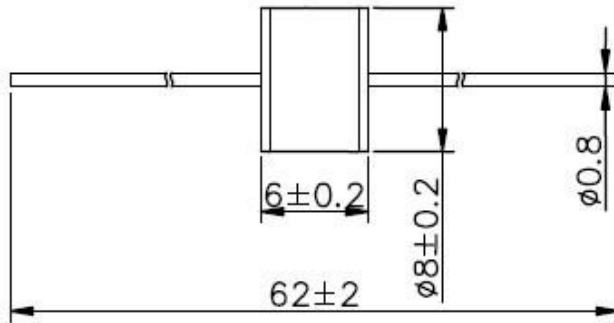


2-Electrode Gas Discharge Tubes

5KA / 3KA

1: Dimension(mm)



2: Main Applications

- PCI Cards protection
- Telephone/Fax/Modem protection
- single line protection
- ADSL/XDSL Splitter, Power Supply
- Surge Protection Device/Surge Protector

- 100% Lead-Free (RoHS Compliant)
- Non-Radioactive
- Low capacitance ($\leq 1\text{pF}$)
- Fast Response-time, High Insulation Resistance.
- Small size : Ø8x6(mm)

4 Electrical Characteristics

Part Number	DC Spark-over Voltage @ 100V/S	Impulse Spark-over Voltage @ 100V/ μs	Impulse Spark-over Voltage @ 1KV/ μs	Insulation Resistance	Impulse discharge current (8/20 μs)	AC discharge current (50Hz, 1s, 10times)	Capacitance (1MHz)
	V	V	V	G Ω	10 Times	A	PF
H2R8-75L	75 \pm 20%	<500	<600	>1	5KA	5	≤ 1
H2R8-90L	90 \pm 20%	<500	<600	>1	5KA	5	≤ 1
H2R8-150L	150 \pm 20%	<500	<600	>1	5KA	5	≤ 1
H2R8-230L	230 \pm 20%	<600	<700	>1	5KA	5	≤ 1
H2R8-350L	350 \pm 20%	<900	≤ 1000	>1	5KA	5	≤ 1
H2R8-420L	420 \pm 20%	<900	≤ 1000	>1	5KA	5	≤ 1
H2R8-470L	470 \pm 20%	<1100	≤ 1200	>1	5KA	5	≤ 1
H2R8-600L	600 \pm 20%	<1200	≤ 1300	>1	5KA	5	≤ 1
H2R8-800L	800 \pm 20%	<1300	≤ 1400	>1	5KA	5	≤ 1
H2R8-1000L	1000 \pm 20%	<1400	≤ 1500	>1	5KA	5	≤ 1
H2R8-1400L	1400 \pm 20%	<2400	≤ 2800	>1	3KA	3	≤ 1
H2R8-1500L	1500 \pm 20%	<2500	≤ 2900	>1	3KA	3	≤ 1
H2R8-2000L	2000 \pm 20%	<2600	≤ 3000	>1	3KA	3	≤ 1
H2R8-2500L	2500 \pm 20%	<3200	≤ 3500	>1	3KA	3	≤ 1
H2R8-3000L	3000 \pm 20%	<3800	≤ 4000	>1	3KA	3	≤ 1

5 Electrical Characteristics

continued

Part Number	DC Spark-over Voltage @ 100V/S	Impulse Spark-over Voltage @100V/μs	Impulse Spark-over Voltage @1KV/μs	Insulation Resistance	Impulse discharge current(8/20μs)	AC discharge current (50Hz, 1s, 10ti mes)	Capacitance (1MHz)
	V	V	V	GΩ	10 Times	A	PF
H2R8-3600L	3600±20%	<4500	≤ 4700	>1	3KA	3	≤1
H2R8-4000L	4000±20%	<5300	≤ 5500	>1	3KA	3	≤1

Packing Quantity : 100PCS

Specifications are subject to change without notice

sales@huaandz.com