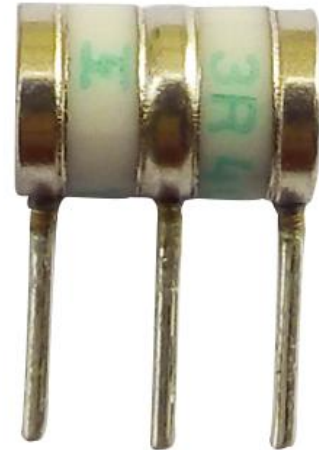
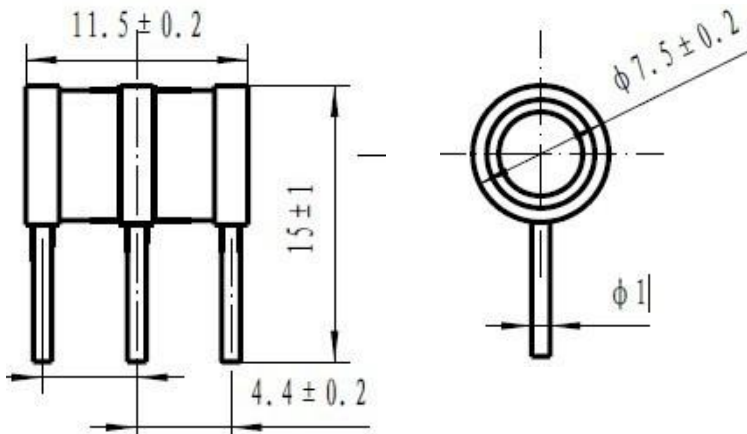


## 3-Electrode Gas Discharge Tubes

10KA

### 1: Dimension(mm)



### 2: Main Applications

- PCI Cards protection
- Telephone/Fax/Modem protection
- single line protection
- ADSL/XDSL Splitter, Power Supply
- Surge Protection Device/Surge Protector

- 100% Lead-Free (RoHS Compliant)
- Non-Radioactive
- Low capacitance ( $\leq 1\text{pF}$ )
- Fast Response-time, High Insulation Resistance.
- Small size : Ø7.5x11.5(mm)

### 4 Electrical Characteristics

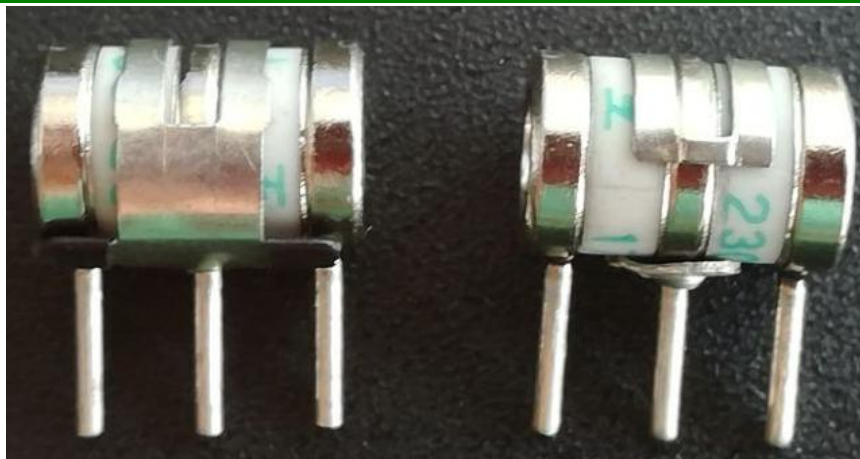
Part Number	DC Spark-over Voltage @ 100V/S	Impulse Spark-over Voltage @ 100V/ $\mu\text{s}$	Impulse Spark-over Voltage @ 1KV/ $\mu\text{s}$	Insulation Resistance	Impulse discharge current(8/20 $\mu\text{s}$ )	AC discharge current (50Hz, 1s, 10times)	Capacitance (1MHz)
	V	V	V	G $\Omega$	10 Times	A	PF
<b>H3R7-75</b>	75 $\pm$ 20%	<500	<600	>1	10KA	10	$\leq 1$
<b>H3R7-90</b>	90 $\pm$ 20%	<500	<600	>1	10KA	10	$\leq 1$
<b>H3R7-150</b>	150 $\pm$ 20%	<500	<600	>1	10KA	10	$\leq 1$
<b>H3R7-230</b>	230 $\pm$ 20%	<600	<700	>1	10KA	10	$\leq 1$
<b>H3R7-250</b>	250 $\pm$ 20%	<600	<700	>1	10KA	10	$\leq 1$
<b>H3R7-350</b>	350 $\pm$ 20%	<900	$\leq 1000$	>1	10KA	10	$\leq 1$
<b>H3R7-400</b>	400 $\pm$ 20%	<900	$\leq 1000$	>1	10KA	10	$\leq 1$
<b>H3R7-420</b>	420 $\pm$ 20%	<900	$\leq 1000$	>1	10KA	10	$\leq 1$
<b>H3R7-470</b>	470 $\pm$ 20%	<1100	$\leq 1200$	>1	10KA	10	$\leq 1$
<b>H3R7-600</b>	600 $\pm$ 20%	<1200	$\leq 1300$	>1	10KA	10	$\leq 1$

Specifications are subject to change without notice

sales@huaandz.com

5 Electrical Characteristics

continued



Part Number	DC Spark-over Voltage @ 100V/S	Impuls e Spark-over Voltage @100V/μs	Impulse Spark-over Voltage @1KV/μs	Insulation Resistance	Impulse discharge current(8 /20μs)	AC discharge current (50Hz,1s,10ti mes)	Capacitan ce (1MHz)
	V	V	V	GΩ	10 Times	A	PF
<b>H3R7-75F</b>	75±20%	<500	<600	>1	10KA	10	≤1
<b>H3R7-90F</b>	90±20%	<500	<600	>1	10KA	10	≤1
<b>H3R7-150F</b>	150±20%	<500	<600	>1	10KA	10	≤1
<b>H3R7-230F</b>	230±20%	<600	<700	>1	10KA	10	≤1
<b>H3R7-250F</b>	250±20%	<600	<700	>1	10KA	10	≤1
<b>H3R7-350F</b>	350±20%	<900	≤ 1000	>1	10KA	10	≤1
<b>H3R7-400F</b>	400±20%	<900	≤ 1000	>1	10KA	10	≤1
<b>H3R7-420F</b>	420±20%	<900	≤ 1000	>1	10KA	10	≤1
<b>H3R7-470F</b>	470±20%	<1100	≤ 1200	>1	10KA	10	≤1
<b>H3R7-600F</b>	600±20%	<1200	≤ 1300	>1	10KA	10	≤1

**Packing Quantity : 100PCS**

Specifications are subject to change without notice

sales@huaandz.com