

▼ Solution1(RS485):

Use surface mount component

Transmission frequency: 10MHZ

Surge level:

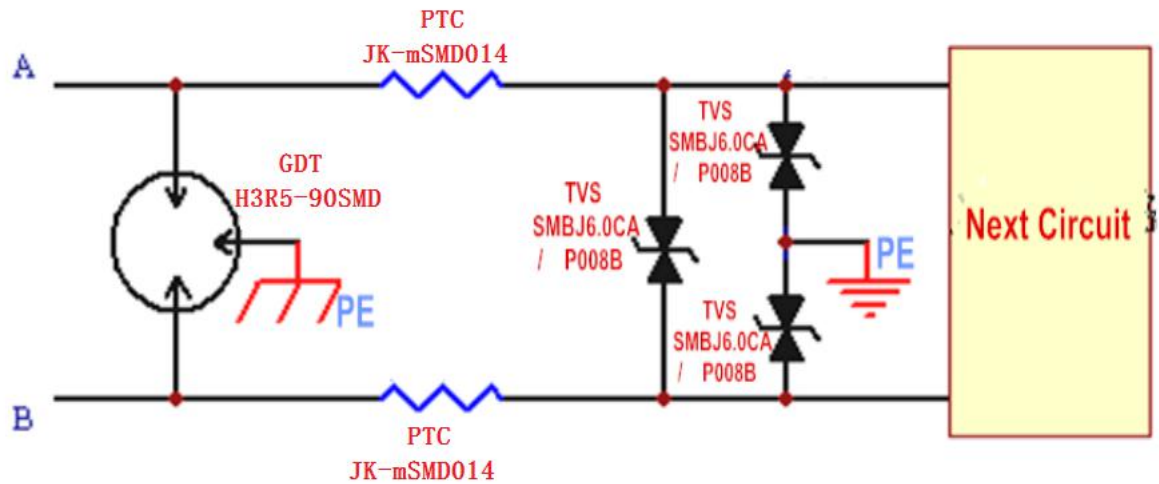
IEC61000-4-5

10/700us:

6KV/150A

1.2/50us-8/20us:

6KV-3KA



Specification.....

Part Number	DC Spark-over Voltage @ 100V/S	Impulse Spark-over Voltage @100V/μs	Impulse Spark-over Voltage @1KV/μs	Insulation Resistance	Impulse discharge current(8/20μs)	AC discharge current (50Hz, 1s, 10times)
GDT	V	V	V	GΩ	10 Times	A
H3R5-90SMD	90±20%	<500	<600	>1	5KA	5

Part Number	Vmax	I max	Ih	Rmax	Rmin	Pd
PTC	V	A	A	Ω	Ω	w
JK-mSMD014	60	100	0.14	6	0.65	0.8

Part Number	Vbr	Ir	Vrwm	Ipp 10/1000us	Vc	Package
TVS	V	uA	V	A	V	
SMBJ6.0CA	6.67-7.37	800	6	58.3	10.3	SMB

Part Number	V _{DRM} @I _{DRM} =5μA	V _s @100V/ μs	I _H	I _s	I _T	V _T @I _T =2.2Am ps	Capacitance @1MHz,2V bias	impulse withstand voltage	Package
SIDACTor	V _{min}	V _{max}	mA _{min}	mA _{max}	A _{max}	V _{max}	pF	10/700us	
P008B	6	25	50	800	2.2	4	70	4KV	SMB

Application product(Video server, access controller ,Electricity meter ,Water meter,optical transmitter and receiver....etc):



HUAAN LIMITED

2

RS485 Port Protection Solution

Use DIP component

▼ Solution 2(RS485):

Transmission frequency:10MHZ

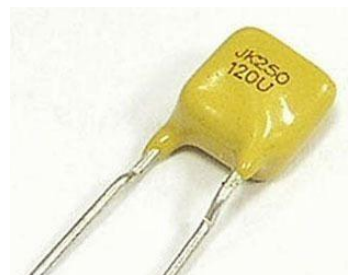
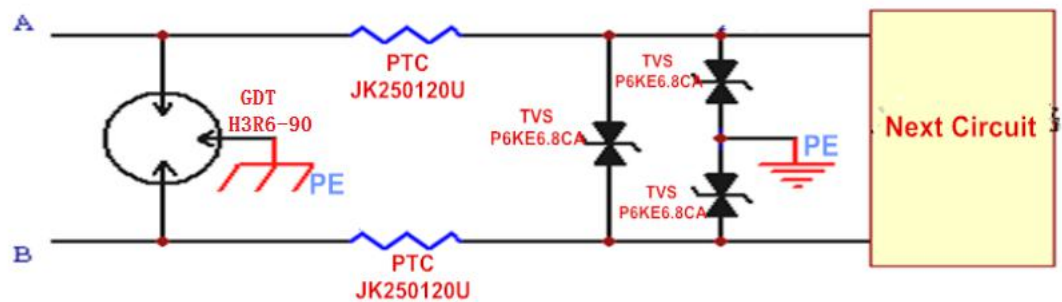
Surge level:

IEC61000-4-5

10/700us:6KV/150A

1.2/50us-8/20us:

6KV-3KA



Specification.....

Part Number	DC Spark-over Voltage @ 100V/S	Impulse Spark-over Voltage @100V/μs	Impulse Spark-over Voltage @1KV/μs	Insulation Resistance	Impulse discharge current(8/20μs)	AC discharge current (50Hz,1s,10times)
GDT	V	V	V	GΩ	10 Times	A
H3R6-90	90±20%	<500	<600	>1	5KA	5

Part Number	Vmax	I max	Ih	Rmax	Rmin	Pd
PTC	V	A	A	Ω	Ω	w
JK250120U	250	10	0.12	11	6	0.8

Part Number	Vbr	Ir	Vrwm	Ipp 10/1000us	Vc	Package
TVS	V	uA	V	A	V	
P6KE6.8CA	6.45-7.14	1000	5.8	58.1	10.5	DO-15

Application product(Video server, access controller ,Electricity meter ,Water meter,optical transmitter and receiver....etc):



A friendly reminder: Any surface mount component and DIP component can alternative use,
 (For example: H3R5-90SMD = H3R6-90 , JK250120U = JK-mSMD014 , P6KE6.8CA = SMBJ6.0CA)
 (So You can also use: H3R6-90 + JK250120U + SMBJ6.0CA, H3R5-90SMD + JK250120U+ P6KE6.8CA ...ETC)
 Statement: These solution is only for reference, The final solution will be based on the actual test results, HUAAN LIMITED will have the right of final explanation.

sales@huaandz.com

abc0734@126.com