

▼ Solution1(RS485):

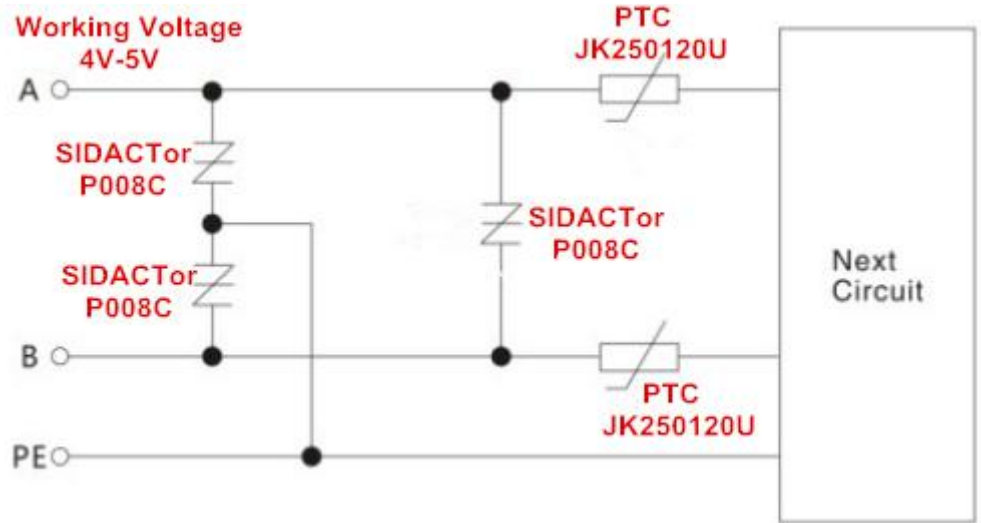
Transmission frequency: 10MHz

Surge level:

IEC61000-4-5

10/700us: CM/DM 6KV

5/320us: 150A



Specification.....

Part Number	V _{DRM} @I _{DRM} =5 μ A	V _s @100V/ μs	I _H	I _s	I _T	V _T @I _T =2.2Am ps	Capacitance @1MHz,2V bias	impulse withstand voltage	Package
SIDACTor	V _{min}	V _{max}	mA _{min}	mA _{max}	A _{max}	V _{max}	pF	10/700us	
P008C	6	25	50	800	2.2	4	75	6KV	SMB

Part Number	V _{max}	I _{max}	I _h	R _{max}	R _{min}	P _d
PTC	V	A	A	Ω	Ω	w
JK250120U	250	10	0.12	11	6	0.8

Application product(Video server, access controller ,Electricity meter ,Water meter,optical transmitter and receiver....etc) :

Statement: These solution is only for reference, The final solution will be based on the actual test results, HUAAN LIMITED will have the right of final explanation.

sales@huaandz.com

abc0734@126.com

1