

▼Solution1(RS232):

Use surface mount component

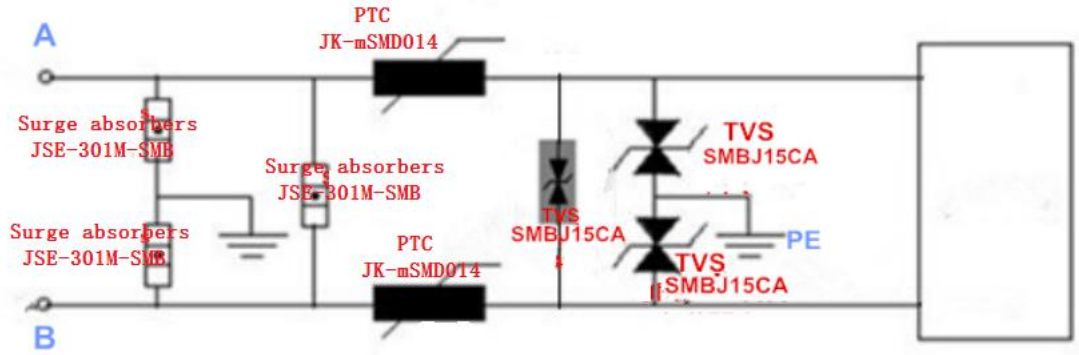
Surge level:

IEC61000-4-5

10/700us: 4KV

1.2/50us-8/20us:

4KV-1KA



Specification.....

Part Number	DC Spark-over Voltage @ 100V/S	Impulse Spark-over Voltage @1KV/ μ s	Insulation Resistance	Impulse discharge current(8/20 μ s)	Surge Life Test 10/700us	Capacitance (1KHz)
Surge Absorber	V	V	m Ω	10 Times	10times	PF
JSE-301M-SMB	300 \pm 20%	\leq 600	>100	1000A	4KV,100A	\leq 1

Part Number	Vmax	I max	Ih	Rmax	Rmin	Pd
PTC	V	A	A	Ω	Ω	w
JK-mSMD014	60	100	0.14	6	0.65	0.8

Part Number	Vbr	Ir	Vrwm	Ipp 10/1000us	Vc	Package
	V	μ A	V	A	V	
SMBJ15CA	16.7-18.5	800	15	24.6	24.4	SMB

Application product(Video server, access controller ,Electricity meter ,Water meter,optical transmitter and receiver....etc):

Use DIP component

▼ Solution 2(RS485):

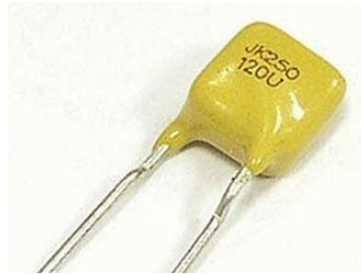
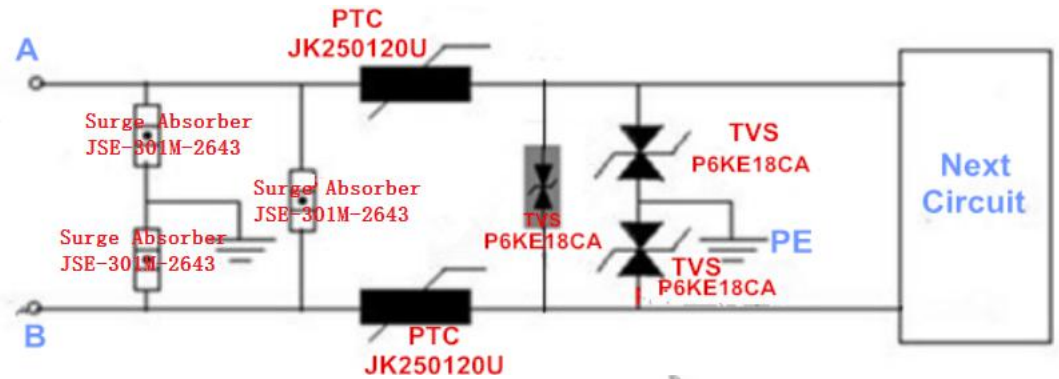
Surge level:

IEC61000-4-5

10/700us:4KV

1.2/50us-8/20us:

4KV-1KA



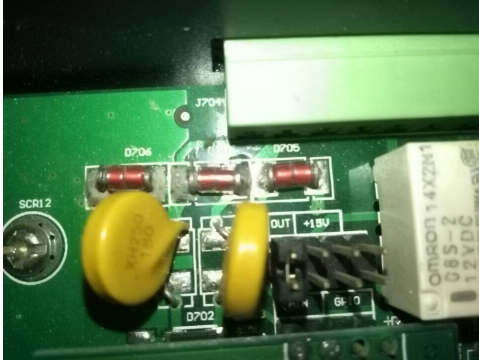
Specification.....

Part Number	DC Spark-over Voltage @ 100V/S	Impulse Spark-over Voltage @1KV/μs	Insulation Resistance	Impulse discharge current(8/20μs)	Surge Life Test 10/700us	Capacitance (1KHz)
Surge Absorber	V	V	mΩ	10 Times		PF
JSE-301M-2643	300±20%	≤ 600	>100	1KA	4KV	≤1

Part Number	Vmax	I max	Ih	Rmax	Rmin	Pd
PTC	V	A	A	Ω	Ω	w
JK250120U	250	10	0.12	11	6	0.8

Part Number	Vbr	Ir	Vrwm	Ipp 10/1000us	Vc	Package
TVS	V	uA	V	A	V	
P6KE18CA	17.1-18.9	5	15.3	24.2	25.2	DO-15

Application product(Video server, access controller ,Electricity meter ,Water meter,optical transmitter and receiver....etc) :



A friendly reminder: Any surface mount component and DIP component can alternative use,
(For example: JSE-301M-SMB = JSE-301M-2643 , JK250120U = JK-mSMD014 , P6KE18CA = SMBJ15CA)
(So You can also use: JSE-301M-2643 + JK250120U + SMBJ15CA, JSE-301M-SMB+ JK250120U+ P6KE18CA ...ETC)

Statement: These solution is only for reference, The final solution will be based on the actual test results, HUAAN LIMITED will have explanation.

sales@huaandz.com

abc0734@126.com