

Solution1(10/1000M Ethernet):

Surge level:

IEC61000-4-5

10/700us-5/320us:

CM 6KV/150A

DM 2KV/ 50A

IEC61000-4-2

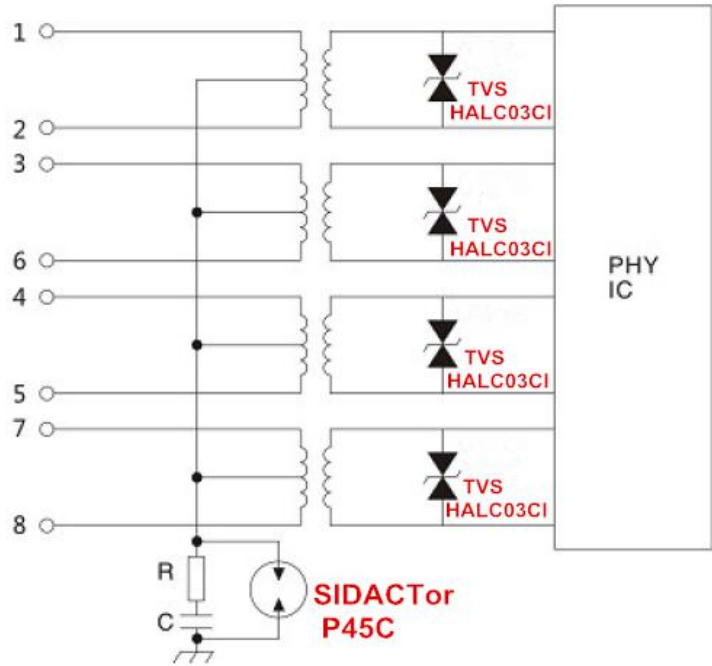
Contact Discharge: 8kv

Air Discharge : 15kv

Avoid risk of AC230V power

Contact

Specification.....



| Part Number | V _{DRM} @I _{DRM} =5 μA | V _s @100V/ μs | I _H | I _s | I _T | V _T @I _T =2.2Amps | Capacitance @1MHz,2V bias | impulse withstand voltage | Package |
|-------------|---|--------------------------------|-------------------|-------------------|------------------|--|---------------------------------|---------------------------------|---------|
| | V _{min} | V _{max} | mA _{min} | mA _{max} | A _{max} | V _{max} | pF | 10/700us | |
| P45C | 400 | 450 | 150 | 800 | 2.2 | 4 | 45 | 6KV | SMB |

| Part Number | VRWM | VBR | IR (uA) | Co Typical value | Vc | | Ppp 8/20us | Package |
|-----------------|------------|------------|-------------|---------------------|------------------|----------|---------------|----------------|
| ESD TVS | V | V | (uA) | pF | V _{max} | IPP(A) | W | |
| HALC03CI | 3.0 | 4.0 | 20.0 | 1.5 | 13.9 | 8 | 350 | SOD-323 |

Statement: These solution is only for reference, The final solution will be based on the actual test results, HUAAN LIMITED will have the right of final explanation.

sales@huaandz.com

abc0734@126.com