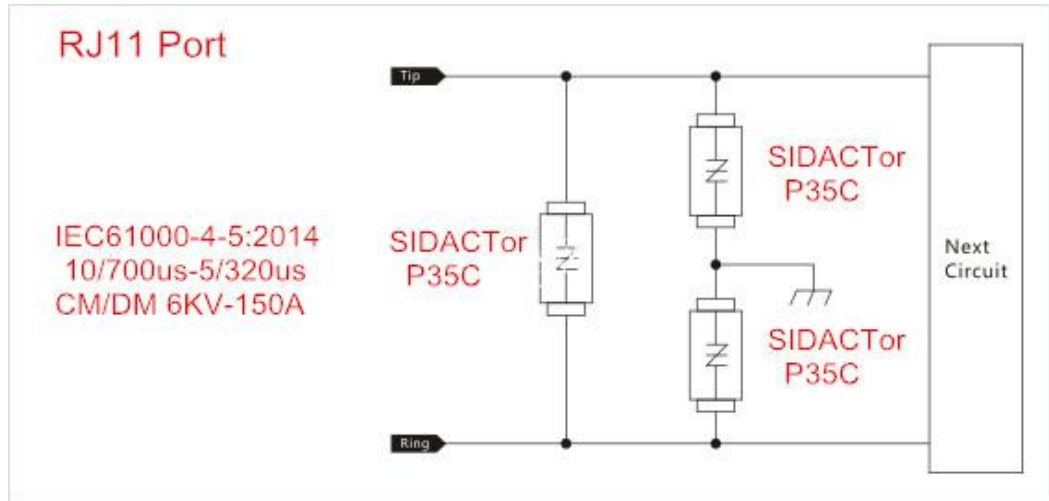


▼Solution: Surge level: 10/700 μ s 6KV

P35C



Specification.....

Part Number	V_{DRM} @ $I_{DRM}=5$ μ A	V_s @100 V/ μ s	I_H	I_s	I_T	V_T @ $I_T=2.2$ Amps	Capacitance @1MHz,2V bias	impulse withstand voltage	Package
	V_{min}	V_{max}	mA min	mA max	A max	V_{max}	pF	10/700us 6KV	
P35C	320	400	150	800	2.2	4	50	6KV	SMB

Application product(POS):



Statement: These solution is only for reference, The final solution will be based on the actual test results, HUAAN LIMITED will have the right of final explanation.

sales@huaandz.com

abc0734@126.com