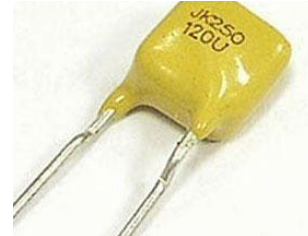
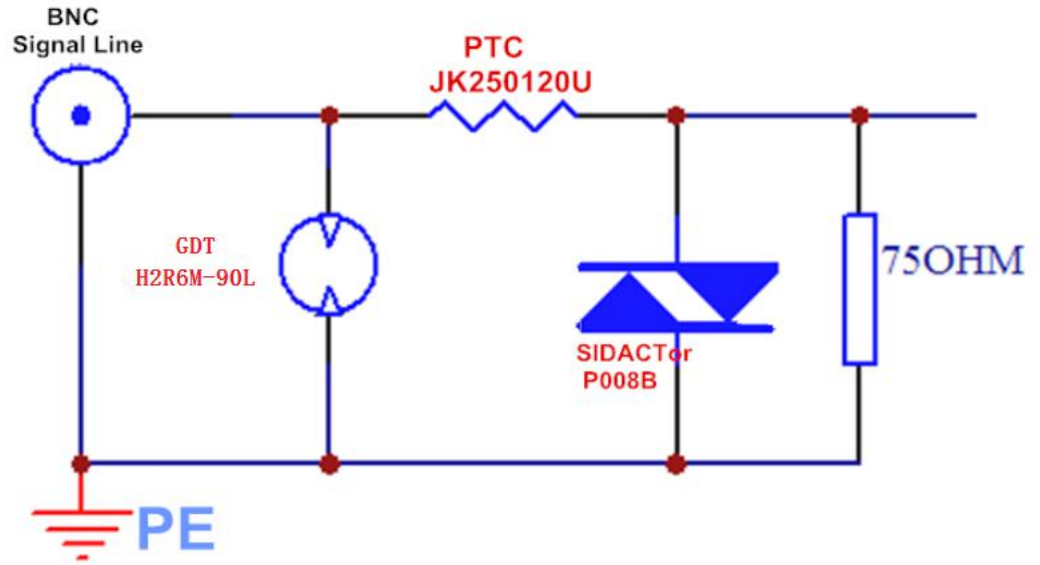


▼ Solution4

Surge level
 IEC61000-4-5
 10/700us: 6KV
 1.2/50us: 6KV
 8/20us: 3KA
 IEC61000-4-2
 CONTACT DISCHARGE :8KV
 AIR DISCHARGE :15KV



Specification.....

Part Number	DC Spark-over Voltage @ 100V/S	Impulse Spark-over Voltage @100V/μs	Impulse Spark-over Voltage @1KV/μs	Insulation Resistance	Impulse discharge current(8/20μs)	AC discharge current (50Hz, 1s, 10times)	Capacitance (1MHz)
GDT	V	V	V	GΩ	10 Times	A	PF
H2R6M-90L	90±20%	<500	<600	>1	5KA	5	≤1

Part Number	Vmax	I max	Ih	Rmax	Rmin	Pd
PTC	V	A	A	Ω	Ω	w
JK250120U	250	10	0.12	11	6	0.8

Part Number	V_{DRM} @ $I_{DRM}=5\mu A$	V_S @100V/ μs	I_H mA min	I_S mA max	I_T A max	V_T @ $I_T=2.2Amp$ s	Capacitance @1MHz,2V bias	Package
SIDCAtor	V_{min}	V_{max}				V_{max}	pF	
P008B	6	25	50	800	2.2	4	70	SMB

Application product(BNC Port...etc):



Statement: These solution is only for reference, The final solution will be based on the actual test results, HUAAN LIMITED will have the right of final explanation.

sales@huaandz.com

abc0734@126.com

1

HUAAN LIMITED

www.huaandz.com

Tel:+86-755-27465585