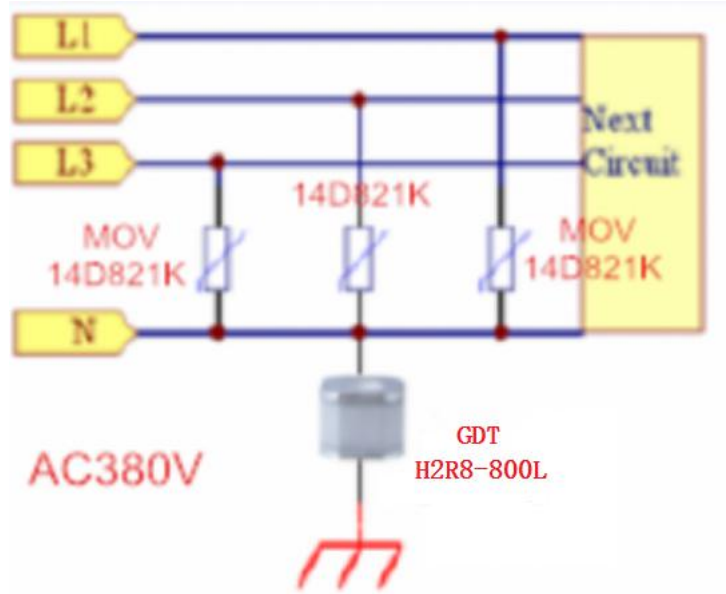
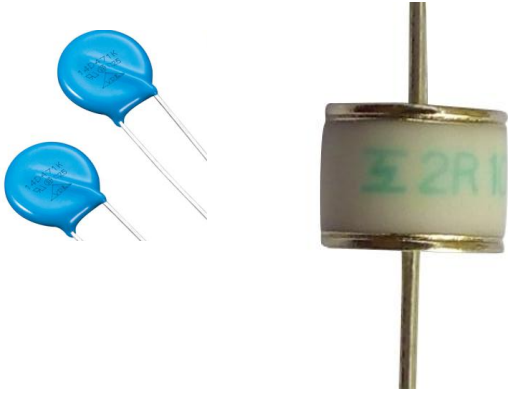


▼ Solution:



Specification.....

Part Number	DC Spark-over Voltage @ 100V/S	Impulse Spark-over Voltage @100V/ $\mu$ s	Impulse Spark-over Voltage @1KV/ $\mu$ s	Insulation Resistance	Impulse discharge current(8/20 $\mu$ s)	AC discharge current (50Hz,1s,10ti mes)	Capacitance (1MHz)
<b>GDT</b>	V	V	V	G $\Omega$	10 Times	A	PF
<b>H2R8=800L</b>	800 $\pm$ 20%	<1300	$\leq$ 1400	>1	5KA	5	$\leq$ 1

Part Number	Varistor Voltage @1mA	Withstanding surge current 8/20us	Maximum Clamping Voltage
<b>MOV</b>	V	A	V
<b>14D821K</b>	738-902	4500	1355

Application product( Power ):



Statement: These solution is only for reference, The final solution will be based on the

actual test results, HUAAN LIMITED will have the right of final explanation.

[sales@huaandz.com](mailto:sales@huaandz.com)

[abc0734@126.com](mailto:abc0734@126.com)

1

---

HUAAN LIMITED

[www.huaandz.com](http://www.huaandz.com)

Tel:+86-755-27465585