

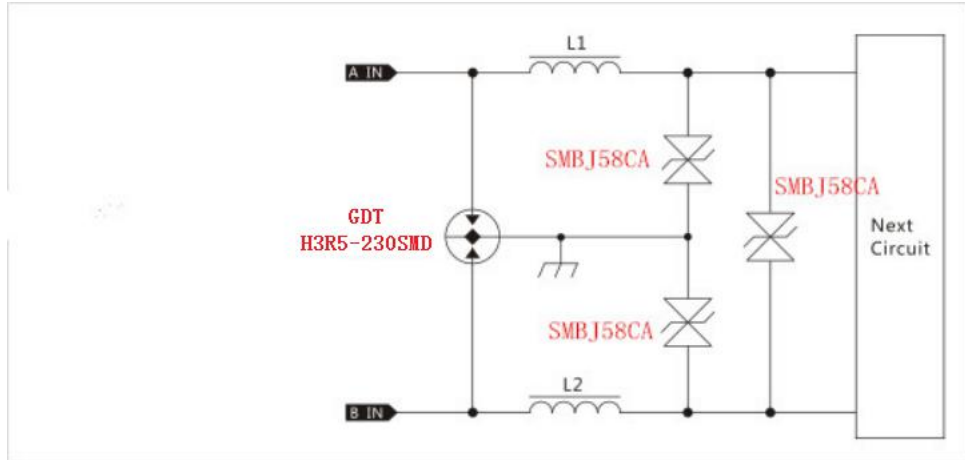
▼ Solution:

Surge level:

IEC61000-4-5

1.2/50us & 8/20us

CM/DM 4KV /2KA



### Specification.....

Part Number	DC Spark-over Voltage @ 100V/S	Impulse Spark-over Voltage @100V/μs	Impulse Spark-over Voltage @1KV/μs	Insulation Resistance	Impulse discharge current(8/20 μs)	AC discharge current (50Hz,1s,10times)	Capacitance (1MHz)
<b>GDT</b>	V	V	V	GΩ	10 Times	A	PF
<b>H3R5-230SMD</b>	230±20%	<600	≤ 700	>1	5KA	5	≤1

Part Number	Vbr	Ir	Vrwm	Ipp	Vc	Package
<b>TVS</b>	V	uA	V	A	V	
<b>SMBJ58CA</b>	64.4- 71.2	1	58	6.5	93.6	SMB

Application product( Power ):



深圳市士安电子科技有限公司

Statement: These solution is only for reference, The final solution will be based on the actual test results, HUAAN LIMITED will have the right of final explanation.

sales@huaandz.com

abc0734@126.com

1