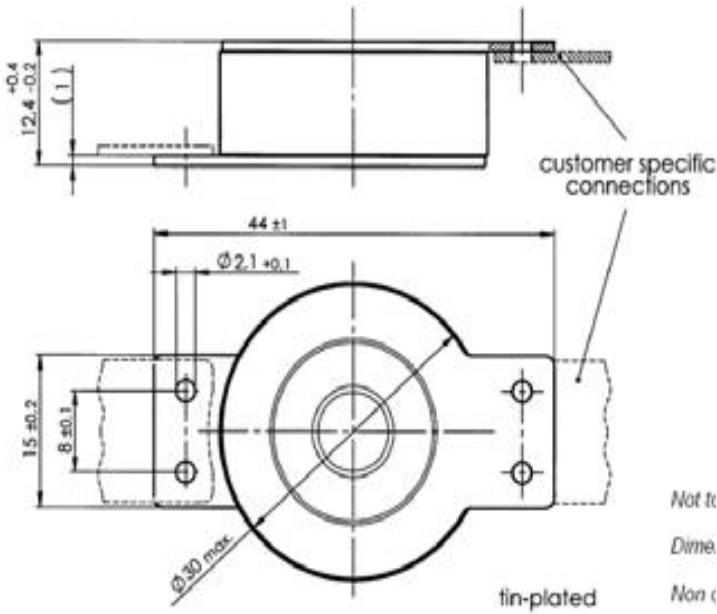


2-Electrode Gas Discharge Tubes

1: Dimension(mm)



2: Main Applications

- Overvoltage protection against direct lightning strike
- Power supply Class I protection
- Surge Protection Device/Surge Protector

3: Features

- 100% Lead-Free (RoHS Compliant)
- Non-Radioactive
- Low capacitance ($\leq 4\text{pF}$)
- Fast Response-time, High Insulation Resistance.

4 Electrical Characteristics

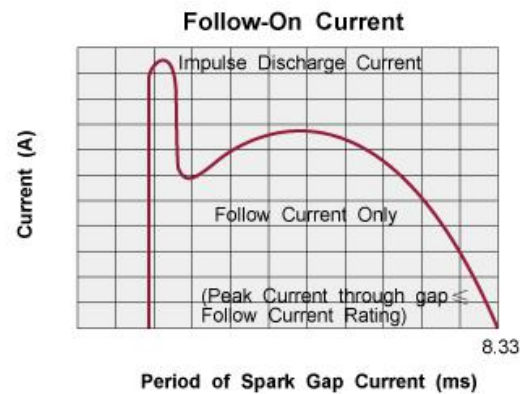
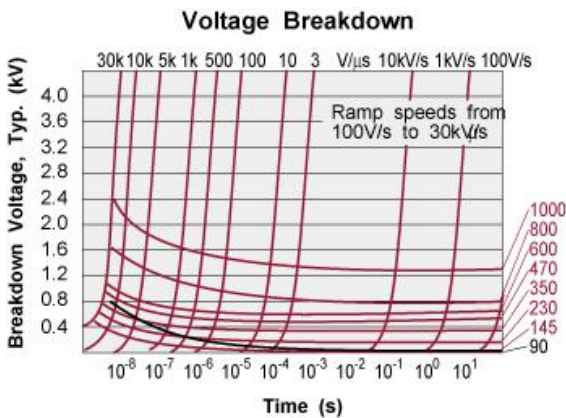
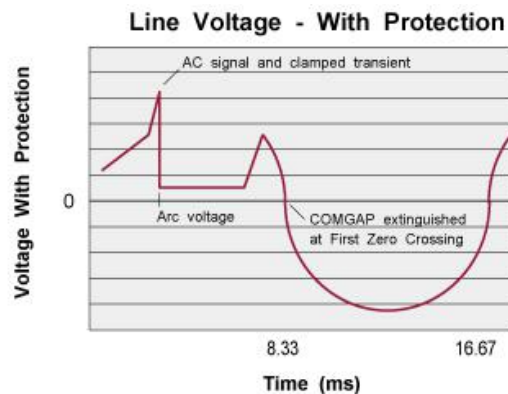
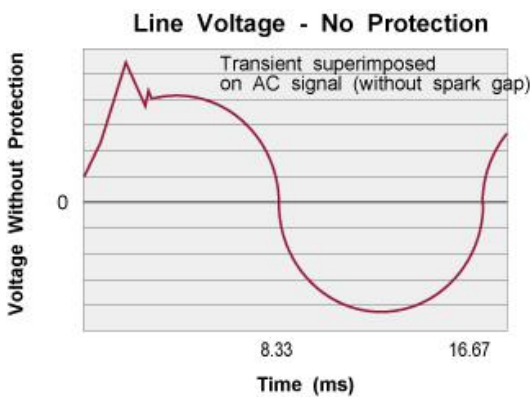
Part Number	DC Spark-over Voltage @100V/s	Impulse Spark-over Voltage @1.2/50us, 6KV	Nominal AC discharge current 50 Hz, 0.2s, 1 shots	Insulation Resistance	Arc Voltage (at 1A)	Capacitance (1MHz)
	V	V	A	GΩ	V	PF
2B600HD	480- 780	≤ 1300	300	$>1*10^9$	~30	≤ 4
2B800HD	640- 1040	≤ 1500	300	$>1*10^9$	~30	≤ 4

5 Life Test

Part Number		2B600HD	2B800HD
Item A	Preconditional Test @255Vrms, 5Arms 15 shots 8/20uS	80KA	80KA
	Operating duty test @255Vrms, 5Arms		
	1 shot 10/350uS	8KA	8KA
	+1 shot 10/350uS	20KA	20KA
	+1 shot 10/350uS	40KA	40KA
	+1 shot 10/350uS	60KA	60KA
Item B	10 shot 10/350us	80KA	80KA
Item C	15 shot 8/20us	150KA	150KA

Item A based on IEC61643-11, Item B based on customer's request .For each item new gas discharge tubes shall be used.

PERFORMANCE CHARACTERISTICS



Specifications are subject to change without notice

sales@huaandz.com